

BUMP FEED WIND5

BUMP & FEED type



Diameter : 5-1/2"
 Weight : 450g
 Spool capacity : $\Phi 2.4 \times 7\text{m}$
 Suitable engine : 30~45cc


- * Low Vibration
- * Open Eyelet
- * Divided Line Holder
- * High Durability
- * Winding System
- └ Easy to Wind Line

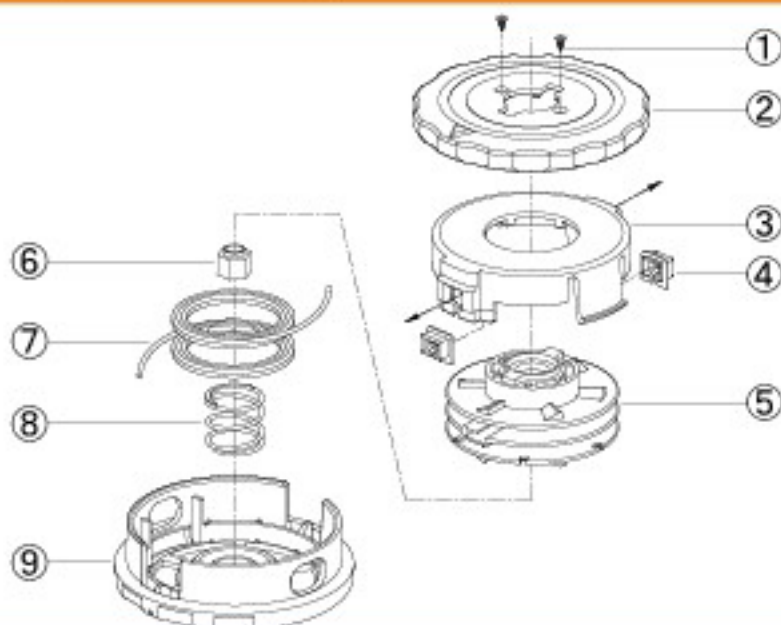
FEMALE HEADS	
Model Code	Size
W5-08125NL	M8 X P1.25LH female
W5-1010NL	M10 X P1.0LH female
W5-10125NL	M10 X P1.25LH female
W5-1015NL	M10 X P1.5LH female
W5-12125NL	M12 X P1.25LH female
W5-1215NL	M12 X P1.5LH female
W5-12175NL	M12 X P1.75LH female

MALE HEADS	
Model Code	Size
W5-08125BL	M8 X P1.25LH male
W5-10125BL	M10 X P1.25LH male

If you need other size, please contact us.



Adapter Bolts	
	M8 x P1.25LH M10 x P1.25LH
	M10 x P1.25LH M10 x P1.25LH



Parts List

No.	Parts Name	Q'ty
①	Screw	2
②	Case Cover	1
③	Case	1
④	Eyelet	2
⑤	Line Holder	1
⑥	Nut	1
⑦	Nylon Line	1
⑧	Spring	1
⑨	Cover	1