

BUMP FEED NB4

BUMP & FEED type



Diameter : 4"
 Weight : 250g
 Spool capacity : $\Phi 2.4 \times 4m$
 Suitable engine : 22~35cc

- * Low Vibration
- * Open Eyelet
- * Divided Line Holder
- * High Durability Tap Knob

FEMALE HEADS

Model Code	Size
NB4-08125NL	M8 X P1.25LH female
NB4-08125NR	M8 X P1.25RH female
NB4-10125NL	M10 X P1.25LH female

MALE HEADS

Model Code	Size
NB4-07125BL	M7 X P1.25LH male
NB4-08125BL	M8 X P1.25LH male

UNIVERSAL HEADS

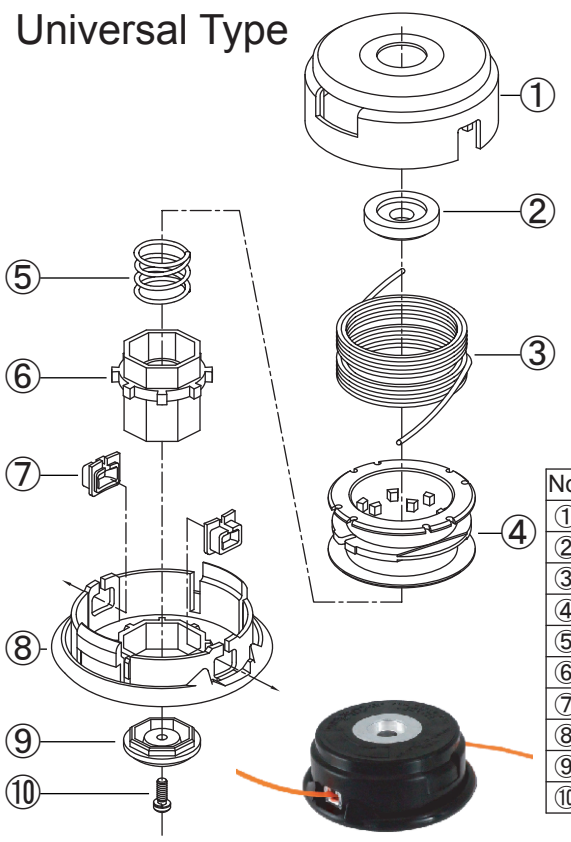
Model Code	Size
NB4-UNVF	Universal

Adapter Bolts



If you need other size, please contact us.

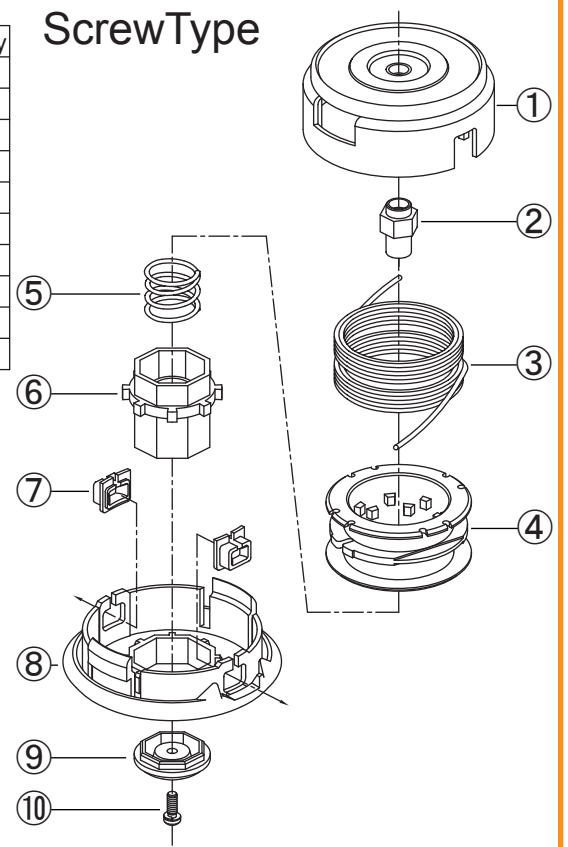
Universal Type



No.	Parts Name	Q'ty
①	Case	1
②	Nut	1
③	Nylon Line	1
④	Line Holder	1
⑤	Spring	1
⑥	Tap Knob	1
⑦	Eyelet	2
⑧	Cover	1
⑨	Button	1
⑩	Bolt	1

No.	Parts Name	Q'ty
①	Case	1
②	Holder	1
③	Nylon Line	1
④	Line Holder	1
⑤	Spring	1
⑥	Tap Knob	1
⑦	Eyelet	2
⑧	Cover	1
⑨	Button	1
⑩	Bolt	1

ScrewType



No.	Parts Name	Q'ty
①	Case	1
②	Nut	1
③	Nylon Line	1
④	Line Holder	1
⑤	Spring	1
⑥	Tap Knob	1
⑦	Eyelet	2
⑧	Cover	1
⑨	Button	1
⑩	Bolt	1

No.	Parts Name	Q'ty
①	Case	1
②	Holder	1
③	Nylon Line	1
④	Line Holder	1
⑤	Spring	1
⑥	Tap Knob	1
⑦	Eyelet	2
⑧	Cover	1
⑨	Button	1
⑩	Bolt	1