

BUMP FEED Eco4

BUMP & FEED type



Diameter : 4"
 Weight : 185g
 Spool capacity : $\Phi 2.4 \times 6m$
 Suitable engine : 20~30cc

- * Low Vibration
- * Open Eyelet
- * Divided Line Holder
- * Popular edition of Z4
- * Light Weight

FEMALE HEADS

| Model Code | Size |
|------------|----------------------|
| E4-08125NL | M8 X P1.25LH female |
| E4-08125NR | M8 X P1.25RH female |
| E4-1010NL | M10 X P1.0LH female |
| E4-10125NL | M10 X P1.25LH female |
| E4-10125NR | M10 X P1.25RH female |
| E4-1015NL | M10 X P1.5LH female |
| E4-3824NR | 3/8" X 24RH female |

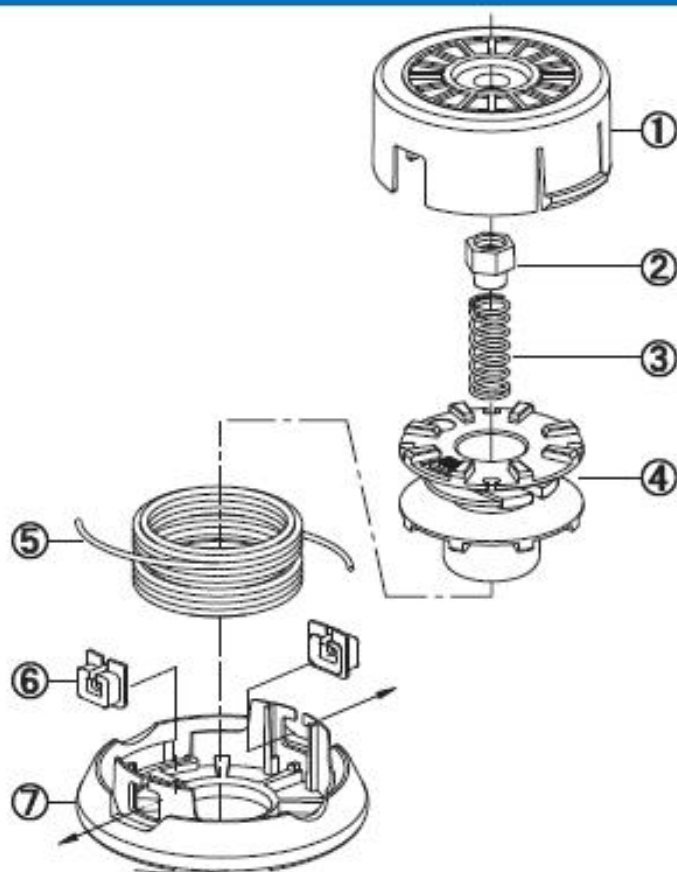
MALE HEADS

| Model Code | Size |
|------------|-------------------|
| E4-07125BL | M7 X P1.25LH male |
| E4-08125BL | M8 X P1.25LH male |

Adapter Bolts

| | | | |
|---|---------------------|---|--------------------|
|  | M10 X M7 P1.25LH |  | M8 X M8 P1.25LH |
|---|---------------------|---|--------------------|

If you need other size, please contact us.



ScrewType

| No. | Parts Name | Q'ty |
|-----|-------------|------|
| ① | Case | 1 |
| ② | Nut | 1 |
| ③ | Spring | 1 |
| ④ | Line Holder | 1 |
| ⑤ | Nylon Line | 1 |
| ⑥ | Eyelet | 2 |
| ⑦ | Cover | 1 |